

REVISIONS		
LTR	DESCRIPTION	DATE
F	REVISED PER ECO-11-021852	10/30/2011

NOTES

- ALL DIMENSIONS ARE IN $\frac{\text{INCHES}}{\text{[MILLIMETERS]}}$
- DIMENSIONS APPEARING IN TABLE ARE AS FOLLOWS:
 - a - AS SUPPLIED
 - b - AFTER UNRESTRICTED RECOVERY

3. COATING (ADHESIVE): IS OPTIONAL AS SUPPLIED DIMENSIONS APPEARING IN TABLE ARE FOR UNCOATED PARTS. WHEN COATING IS ADDED, ENTRY DIAMETER WILL BE REDUCED BY .06 [1.5] MAX.

4. 207W223, 207W234 & 207W245 HAVE STAINLESS STEEL DOWEL PINS SECURED TYPE "C" NUT IS SUPPLIED WITH PART.

5. "O" RING IS SUPPLIED WITH PART.

6. IN PLACE WITH ADHESIVE.

7. ORDERING INFORMATION

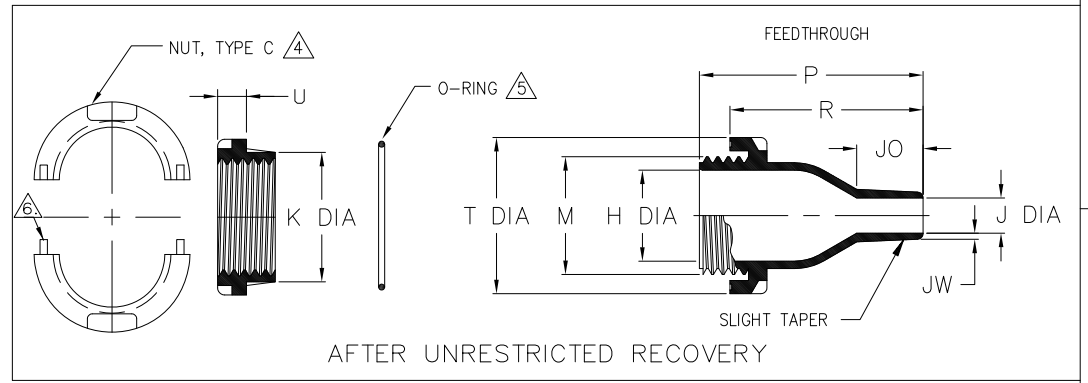
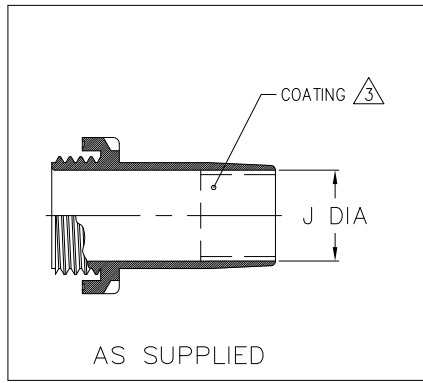
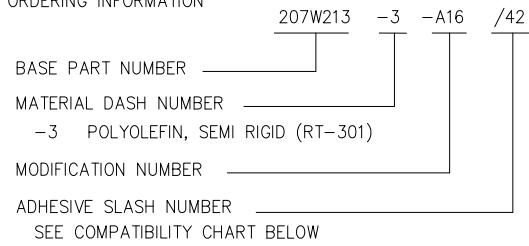


TABLE OF DIMENSIONS

PART DESCRIPTION	H	J		JO	K	M	P	R	T	U	JW	HOLE DIA
	REF	MIN	MAX	MAX	REF	THREAD	±10%	±10%	REF	±10%	±20%	± .02
	b	a	b	b	b	b	b	b	b	b	b	
207W213-X-A16	.47 [11,9]	.39 [9,9]	.16 [4,1]	.60 [15,2]	.91 [23,1]	.79 [20,0]	2.44 [62,0]	1.93 [49,0]	1.26 [32,0]	.28 [7,1]	.04 [1,0]	.94 [23,9]
207W223-X-A16	.79 [20,0]	.71 [18,0]	.28 [7,0]	.77 [19,5]	1.30 [33,2]	1.18 [30,0]	2.84 [72,0]	2.32 [59,0]	1.65 [42,0]	.39 [9,9]	.07 [1,8]	1.34 [34]
207W234-X-A16	1.22 [31,0]	1.10 [28,0]	.47 [12,0]	1.06 [27,0]	1.80 [45,7]	1.65 [42,0]	3.43 [87,0]	2.91 [74,0]	2.28 [58,0]	.39 [9,9]	.08 [2,0]	1.85 [47,0]
207W245-X-A16	1.77 [44,9]	1.69 [42,9]	.71 [18,0]	1.26 [32,0]	2.34 [59,4]	2.20 [55,8]	4.42 [112,2]	3.85 [97,7]	2.80 [71,1]	.39 [9,9]	.12 [3,0]	2.07 [52,4]

If this document is printed it becomes uncontrolled. Check for the latest revision

Raychem Molded Parts
CUSTOMER DRAWING

COMPATIBILITY CHART		
MATERIAL DASH NO.	ADHESIVE (COATING) SLASH NUMBER	ADHESIVE (COATING) S NUMBER
-3	/42;	S-1017;

UNLESS OTHERWISE SPECIFIED DIMENSIONS ARE INCHES. METRIC DIMENSIONS ARE IN BRACKETS. DECIMAL TOLERANCES .XXX ± 0.005 [0.13 mm] .XX ± 0.01 [0.25 mm] .X ± 0.1 [0.50 mm] ANGLE TOLERANCE .X ± 1 DEG.	REVISED UNGUYEN	TE Connectivity
APPROVED DHURRELL	TITLE FEEDTHROUGH, SEAL	
THIRD ANGLE PROJECTION	SIZE B	CODE IDENT. NO. 06090
TYCO ELECTRONICS RESERVES THE RIGHT TO AMEND THIS DRAWING AT ANY TIME. USERS SHOULD EVALUATE THE SUITABILITY OF THE PRODUCT FOR THEIR APPLICATION.	DWG. NO. 207W2XX-X-A16	
© 1997-2011 Tyco Electronics Corporation. All rights reserved.		DO NOT SCALE THIS DRAWING
		SHEET 1 OF 1